

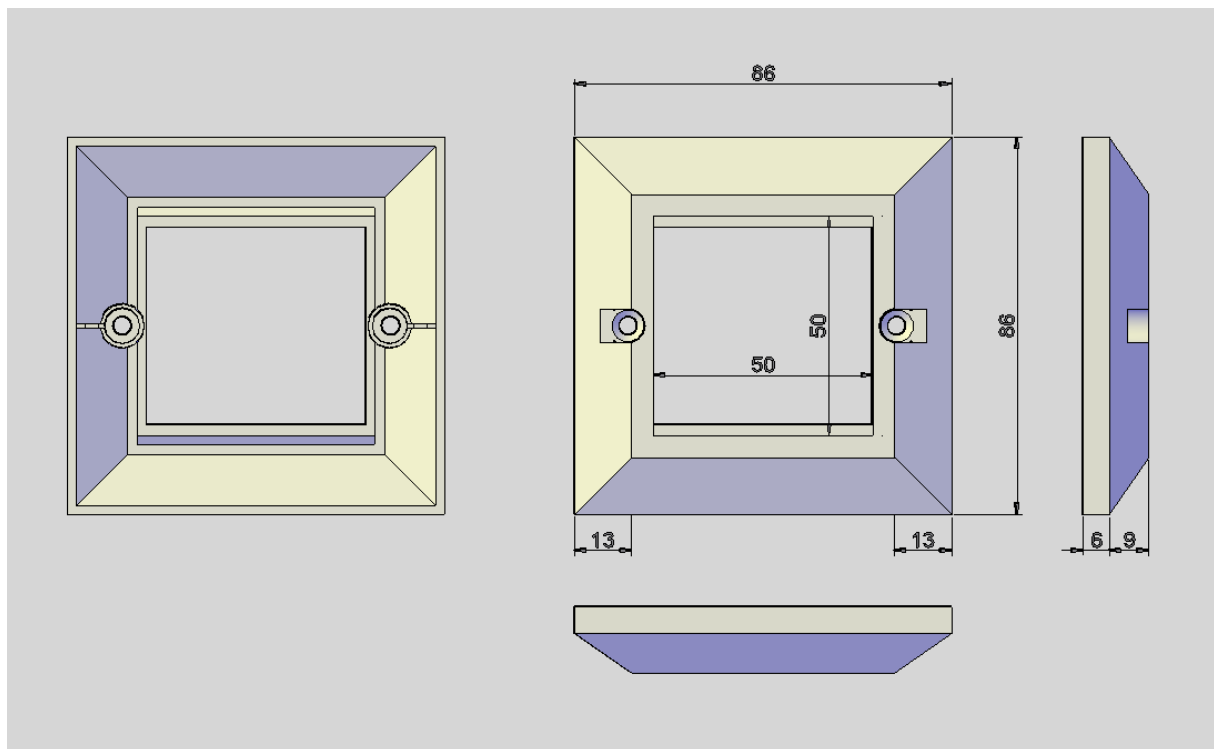


AVD Product Technical Data Sheet

Bevelled Faceplate; Two Module

Product Code: Standard UK plan profile and fixing centres.

UA2-FB01-001 Two-module opening, accepting 2No x 25 x 50mm modules.



Audio Visual Data Modular Components



AVD Product Technical Data Sheet

Bevelled Faceplate; Four Module

Product Code: Standard UK plan profile and fixing centres.

UA4-FB01-001 Four-module opening, accepting 4No x 25 x 50mm modules.

